

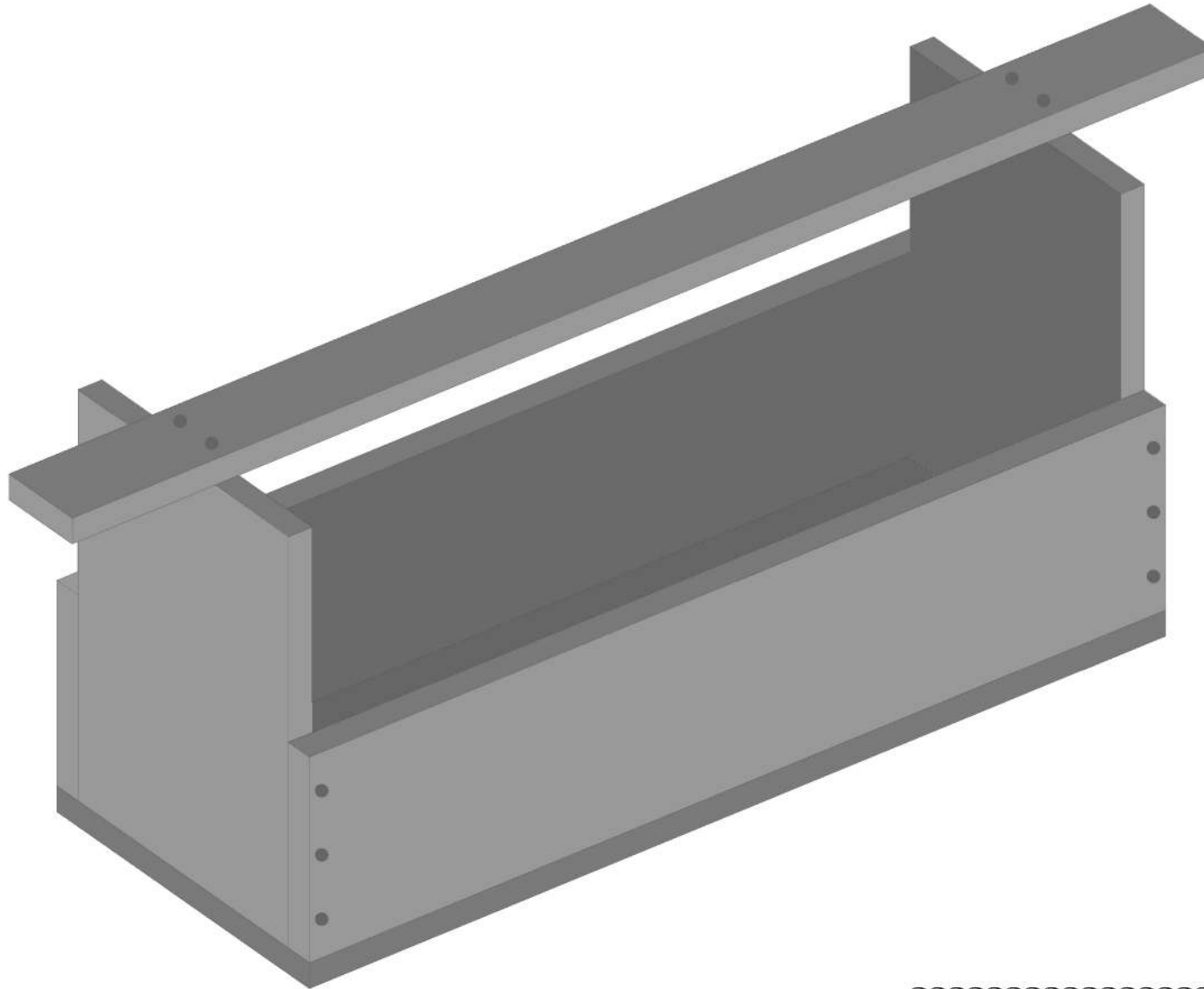
ETE

ECOTONE

NEW YORK



FINAL RESULT**



* Each box may vary depending on the process we encourage you to adapt and have fun with it as you build it.

ALL DIMENSIONS TO BE VERIFIED IN FIELD BEFORE FABRICATION

ETG ECOTONE NEW YORK

ECOTONE, INC.
127 KING STREET
BROOKLYN, NY 11231

WWW.ECOTONE.NY.COM
INFO@ECOTONE.NY.COM
(212) 965-9358

FINISHES

W010 PALLET WOOD

H001 PALLET NAILS

TOOLS

T001 WOOD SAW

T005 HAMMER



REVISIONS

| NO. | DATE | DESCRIPTION | BY | SUBMISSION NOTES |
|-----|-----------|-------------|----------|------------------|
| 1 | 6/15/2020 | TOOLBOX | DESIGNED | BOX DRAWING SET |
| 2 | | | | |
| 3 | | | | |
| 4 | | | | |

CLIENT:

STUDENT

PROJECT:

TOOLBOX

127 KING STREET
BROOKLYN, NY 11231

SHEET TITLE:

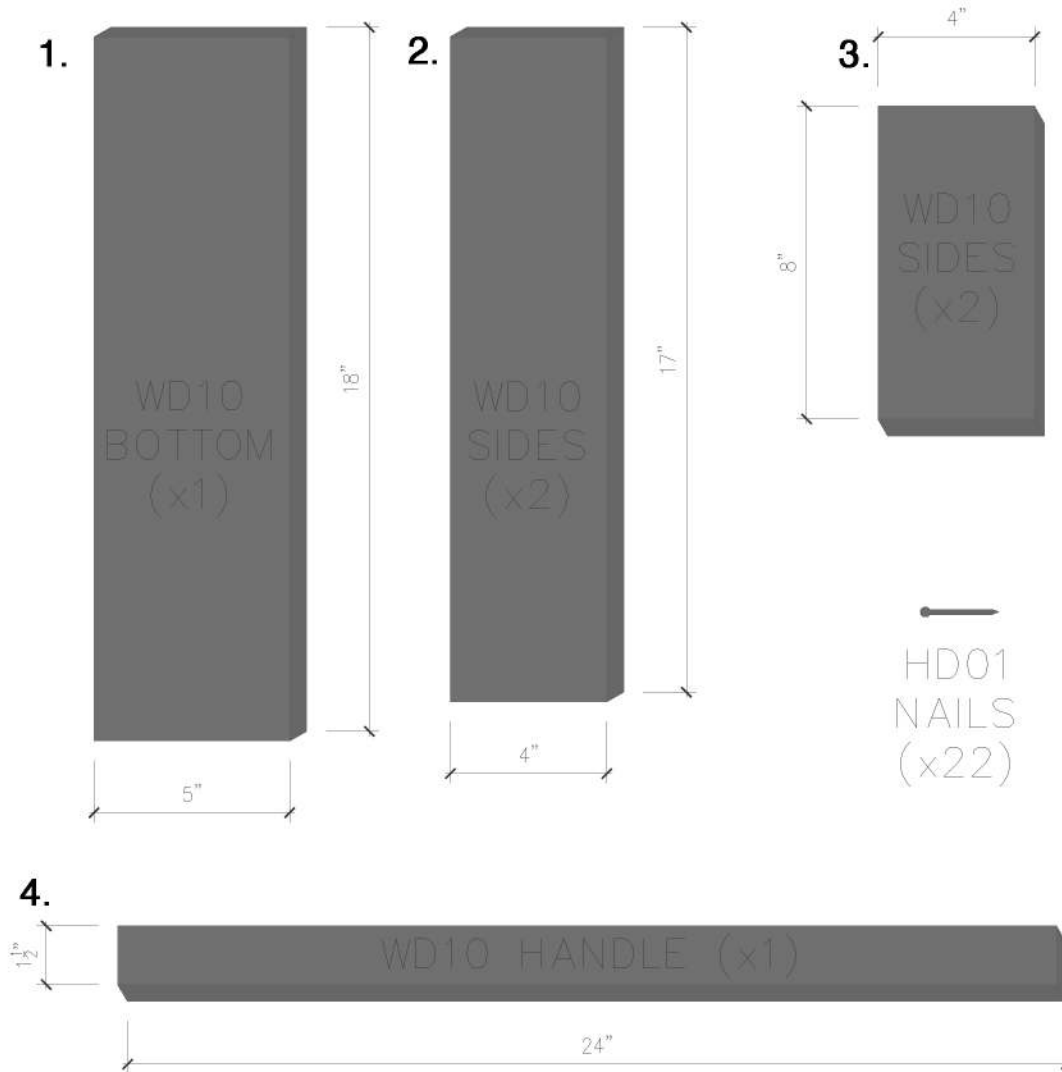
TOOLBOX OVERVIEW

SCALE: AS NOTED PROJECT NO. DWG NO.

DATE: 06/15/2020

ECO-1

CUT EACH INDIVIDUAL PART WITH THE RIGHT MEASUREMENTS*



ALL DIMENSIONS TO BE VERIFIED IN FIELD BEFORE FABRICATION

We recommend you cut each piece in the order displayed to assure that each part is the right measure

FINISHES

WD10 PALLET WOOD

HD01 PALLET NAILS

TOOLS

TL01 WOOD SAW

TL05 HAMMER

REVISIONS

| NO. | DATE | DESCRIPTION | BY | SUBMISSION NOTES |
|-----|-----------|-------------|----------|------------------|
| 1 | 6/15/2020 | TOOLBOX | DESIGNED | BOX DRAWING SET |
| 2 | | | | |
| 3 | | | | |
| 4 | | | | |

CLIENT:

STUDENT

PROJECT:

TOOLBOX

127 KING STREET
BROOKLYN, NY 11231

SHEET TITLE:

TOOLBOX PARTS

SCALE: AS NOTED

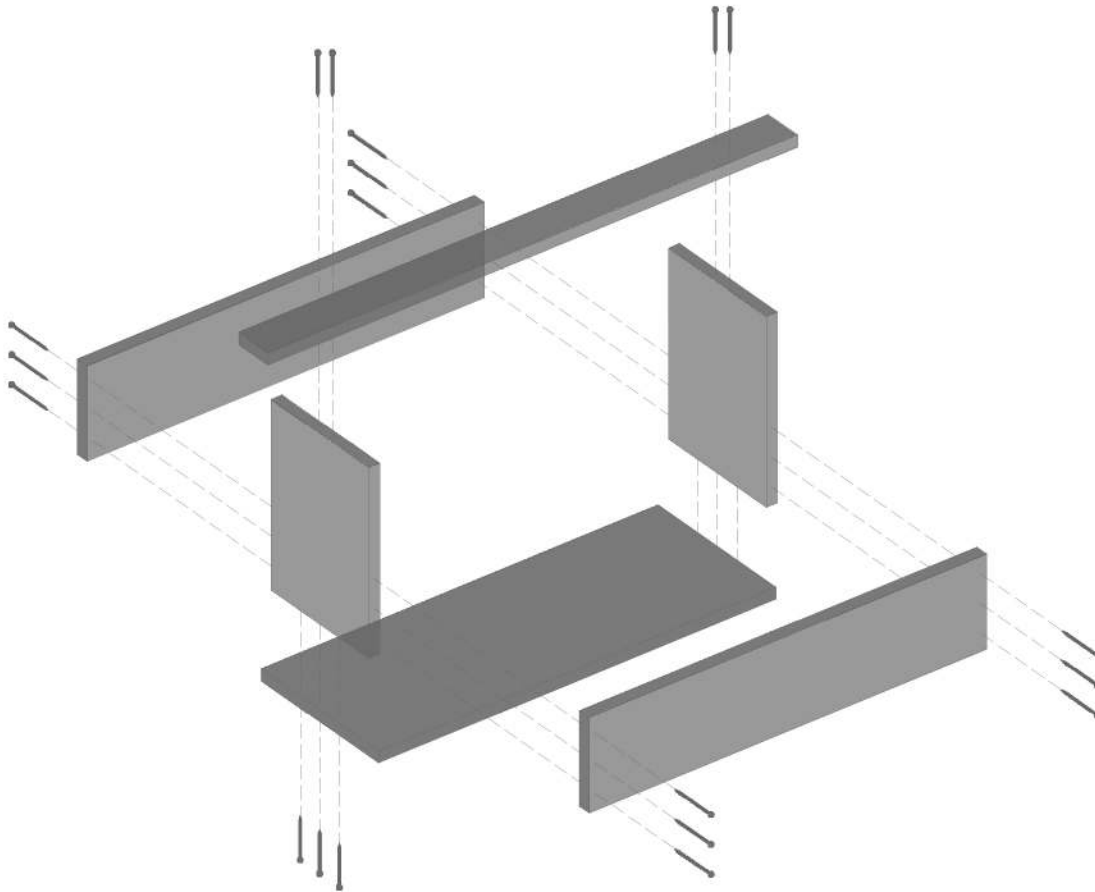
PROJECT NO.

DWG NO.

DATE: 06/15/2020

ECO-2

ASSEMBLY



ALL DIMENSIONS TO BE VERIFIED IN FIELD BEFORE FABRICATION



ECOTONE, INC.
127 KING STREET
BROOKLYN, NY 11231

WWW.ECOTONENY.COM
INFO@ECOTONENY.COM
(212) 965-9358

FINISHES

W010 PALLET WOOD

H001 PALLET NAILS

TOOLS

T101 WOOD SAW

T105 HAMMER

REVISIONS

| NO. | DATE | DESCRIPTION | BY | SUBMISSION NOTES |
|-----|-----------|-------------|---------|------------------|
| 1 | 6/15/2020 | TOOLBOX | DESUOKO | 50% DRAWING SET |
| 2 | | | | |
| 3 | | | | |
| 4 | | | | |

CLIENT:

STUDENT

PROJECT:

TOOLBOX

127 KING STREET
BROOKLYN, NY 11231

SHEET TITLE:

TOOLBOX PARTS

SCALE: AS NOTED

PROJECT NO:

DWG NO:

DATE: 06/15/2020

ECO-2