



ECOTONE, INC.
127 KING STREET
BROOKLYN, NY 11231

WWW.ECOTONENY.COM
INFO@ECOTONENY.COM
(212) 965-9358

FINISHES

[WD10] PALLET WOOD

[HD01] PALLET NAILS

TOOLS

[TL01] WOOD SAW

[TL05] HAMMER

REVISIONS

NO.	DATE	DESCRIPTION	BY	SUBMISSION NOTES
1	6/15/2020	GAUGE	DESMOND	SOK DRAWING SET
2				
3				
4				

CLIENT:

STUDENT

PROJECT:

MALLET

127 KING STREET
BROOKLYN, NY 11231

SHEET TITLE:

MALLET OVERVIEW

SCALE: AS NOTED

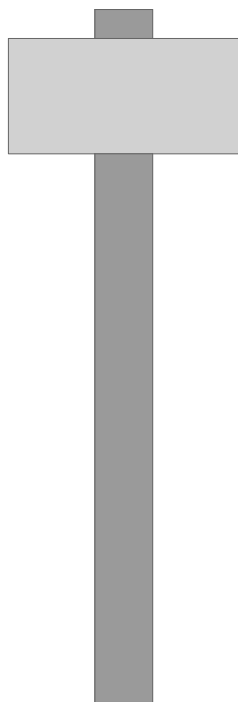
PROJECT NO:

DWG. NO:

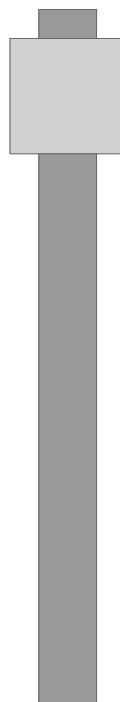
DATE: 06/15/2020

ECO-1

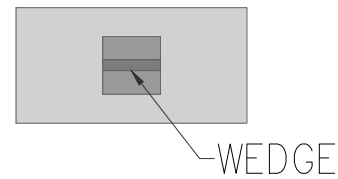
MALLET
(Side)



MALLET
(Front)

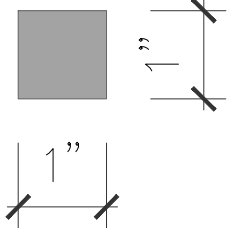


MALLET
(Top)

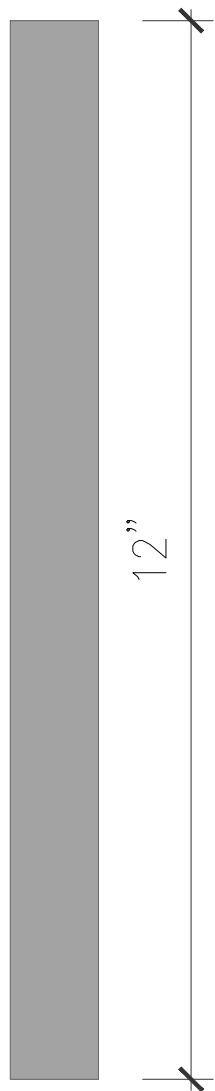


ALL DIMENSIONS TO BE VERIFIED IN FIELD BEFORE FABRICATION

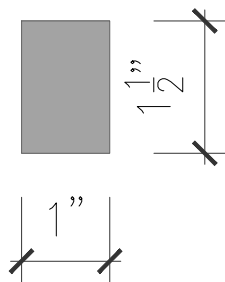
WD10
HANDLE
(Top)



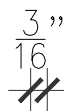
WD10
HANDLE
(Side)



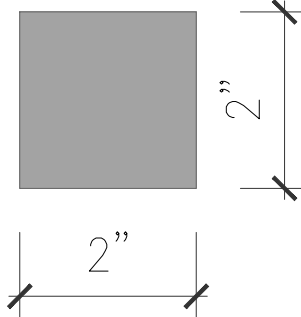
WEDGE
(Front)



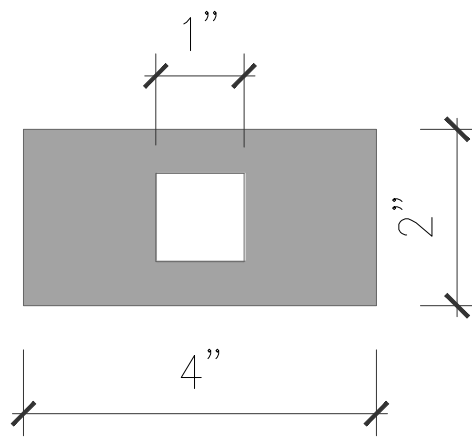
WEDGE
(Side)



WD10
HEAD
(Front)



WD10
HEAD
(Top)



ALL DIMENSIONS TO BE VERIFIED IN FIELD BEFORE FABRICATION



ECOTONE, INC.
127 KING STREET
BROOKLYN, NY 11231

WWW.ECOTONENY.COM
INFO@ECOTONENY.COM
(212) 965-9358

FINISHES

[WD10] PALLET WOOD

[HD01] PALLET NAILS

TOOLS

[TL01] WOOD SAW

[TL05] HAMMER

REVISIONS

NO.	DATE	DESCRIPTION	BY	SUBMISSION NOTES
1	6/15/2020	GAUGE	DESMOND	SOK DRAWING SET
2				
3				
4				

CLIENT:

STUDENT

PROJECT: MALLET

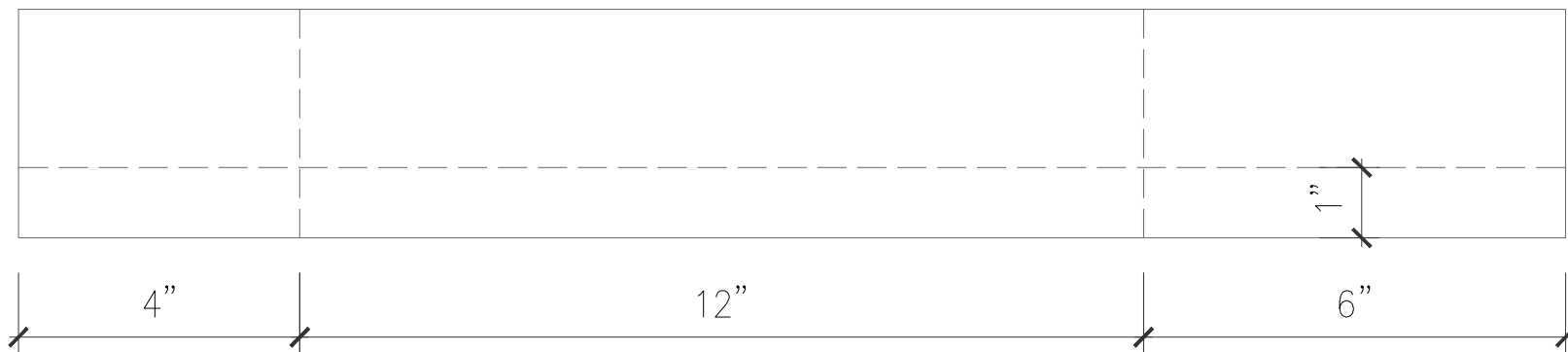
127 KING STREET
BROOKLYN, NY 11231

SHEET TITLE:
MALLET PARTS

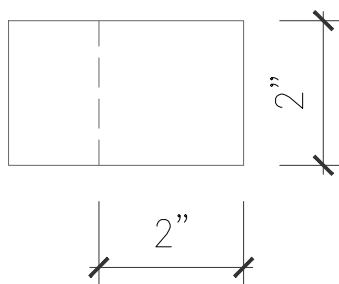
SCALE	PROJECT NO.	DWG. NO.
AS NOTED		ECO-2

DATE: 06/15/2020

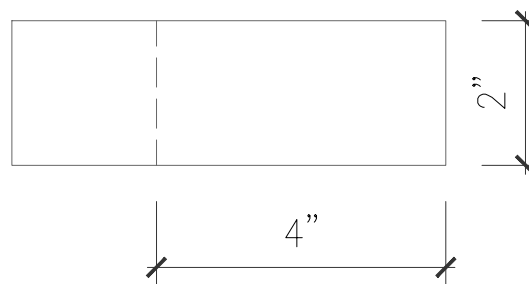
WD10
HANDLE



WD10
HEAD
(Front)



WD10
HEAD
(Side)



ALL DIMENSIONS TO BE VERIFIED IN FIELD BEFORE FABRICATION



ECOTONE, INC.
127 KING STREET
BROOKLYN, NY 11231

WWW.ECOTONENY.COM
INFO@ECOTONENY.COM
(212) 965-9358

FINISHES

[WD10] PALLET WOOD

[HD01] PALLET NAILS

TOOLS

[TL01] WOOD SAW

[TL05] HAMMER

REVISIONS

NO.	DATE	DESCRIPTION	BY	SUBMISSION NOTES
1	6/15/2020	GAUGE	DESMOND	SORR DRAWING SET
2				
3				
4				

CLIENT:

STUDENT

PROJECT:

MALLET

127 KING STREET
BROOKLYN, NY 11231

SHEET TITLE:
PALLET BOARD CUT LINES

SCALE:	PROJECT NO:	DWG NO:
AS NOTED		ECO-4

DATE: 06/15/2020