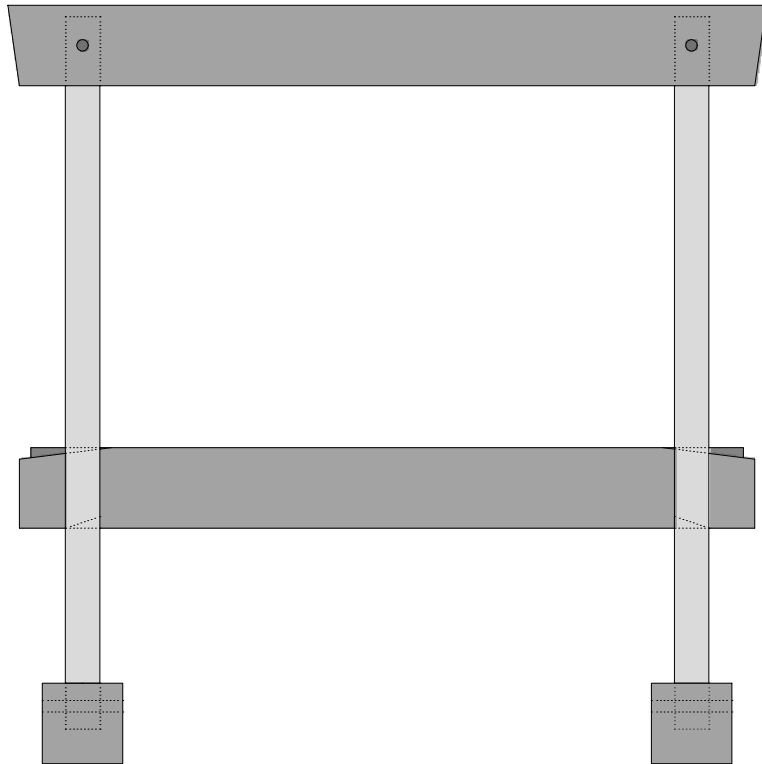
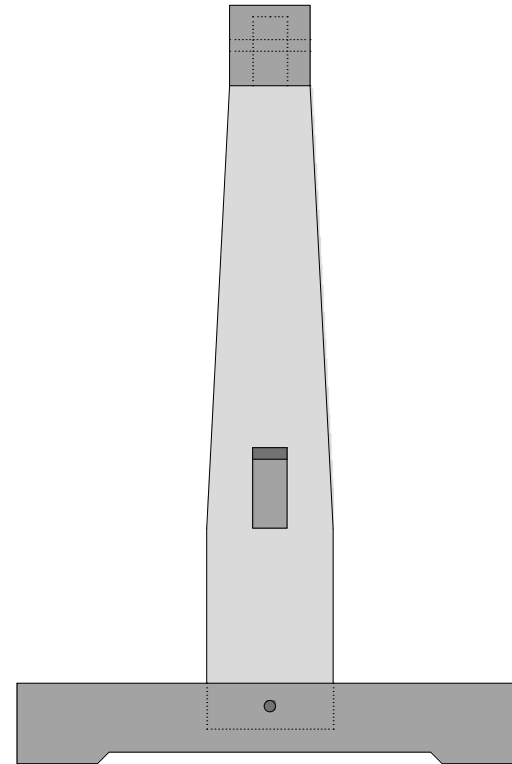



TALL SAWHORSE
(FRONT)



TALL SAWHORSE
(SIDE)



ALL DIMENSIONS TO BE VERIFIED IN FIELD BEFORE FABRICATION


 ECOTONE
NEW YORK

ECOTONE, INC. 127 KING STREET BROOKLYN, NY 11231	WWW.ECOTONENY.COM INFO@ECOTONENY.COM (212) 965-9358
--	---

FINISHES

WD11 4"x4" LUMBER
WD12 2"x6" LUMBER
WD13 SCRAP LUMBER

TOOLS

TL01 WOOD SAW
TL05 HAMMER

REVISIONS

NO.	DATE	DESCRIPTION	BY	SUBMISSION NOTES
1	6/04/2021	GAUGE	DESMOND	SOK DRAWING SET
2				
3				
4				

CLIENT:

STUDENT

PROJECT:

TALL SAWHORSE

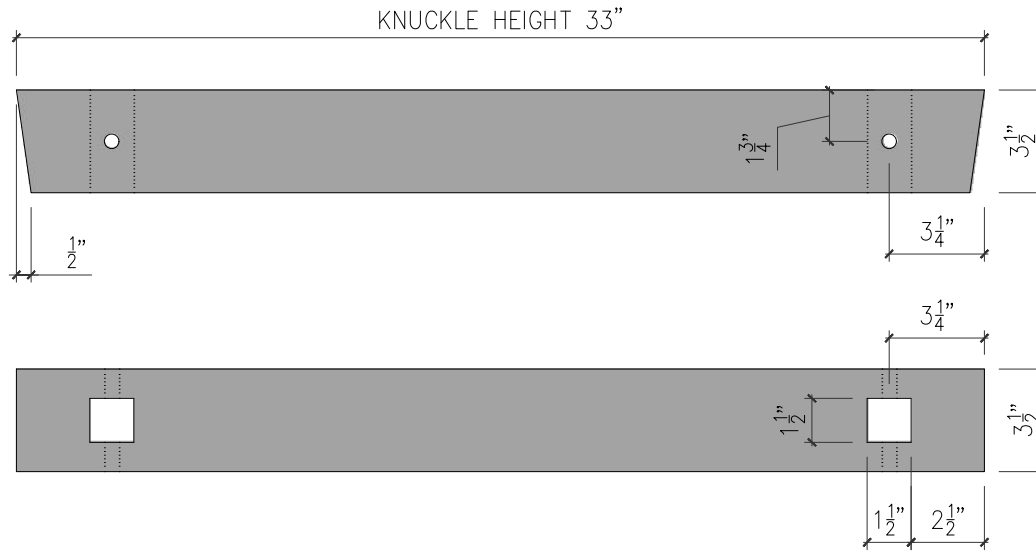
127 KING STREET
BROOKLYN, NY 11231

SHEET TITLE:

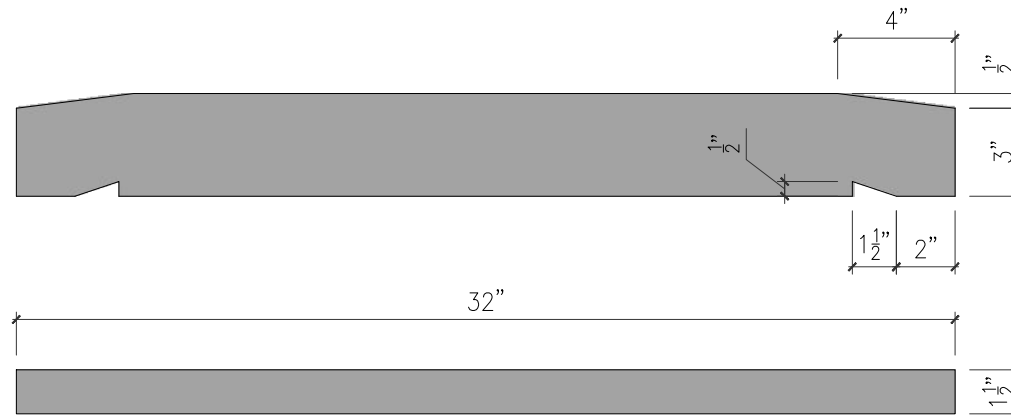
TALL SAWHORSE OVERVIEW

SCALE: AS NOTED	PROJECT NO: -	DWG. NO: -
DATE: 06/04/2021		ECO-1

WD11
TOP BEAM x1
(Side)
(Top)



WD12
STRINGER x1
(Side)
(Top)



ALL DIMENSIONS TO BE VERIFIED IN FIELD BEFORE FABRICATION



ECOTONE, INC.
127 KING STREET
BROOKLYN, NY 11231

WWW.ECOTONENY.COM
INFO@ECOTONENY.COM
(212) 965-9358

FINISHES

- WD11 4"x4" LUMBER
- WD12 2"x6" LUMBER
- WD13 SCRAP LUMBER

TOOLS

- TL01 WOOD SAW
- TL05 HAMMER

REVISIONS

NO.	DATE	DESCRIPTION	BY	SUBMISSION NOTES
1	6/04/2021	LOW SAWHORSE	DESMOND	SQR DRAWING SET
2				
3				
4				

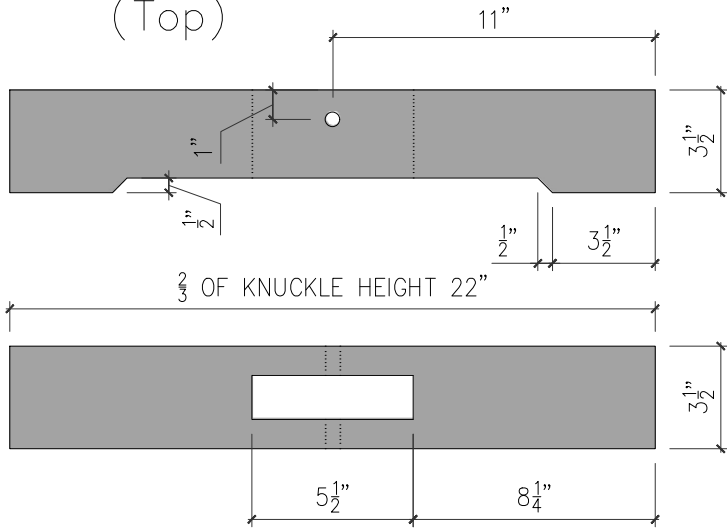
CLIENT:
STUDENT

PROJECT:
LOW SAWHORSE
127 KING STREET
BROOKLYN, NY 11231

SHEET TITLE:
LOW SAWHORSE PARTS

SCALE: AS NOTED	PROJECT NO:	DWG. NO:
DATE: 06/04/2021		ECO-2

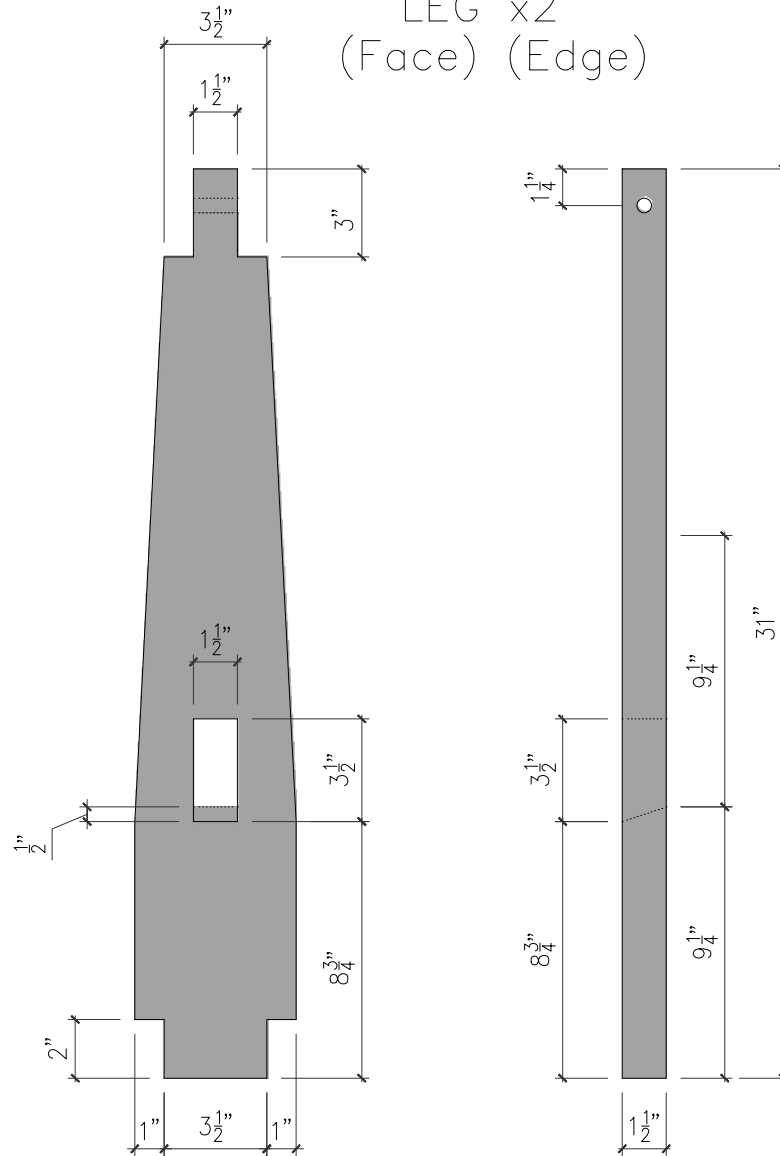
WD11
FOOT x2
(Side)
(Top)



WD13
DOWEL x4 / WEDGE x2



WD12
LEG x2
(Face) (Edge)



ALL DIMENSIONS TO BE VERIFIED IN FIELD BEFORE FABRICATION



ECOTONE, INC.
127 KING STREET
BROOKLYN, NY 11231
WWW.ECOTONENY.COM
INFO@ECOTONENY.COM
(212) 965-9358

FINISHES

- WD11 4"x4" LUMBER
- WD12 2"x6" LUMBER
- WD13 SCRAP LUMBER

TOOLS

- TL01 WOOD SAW
- TL05 HAMMER

REVISIONS

NO.	DATE	DESCRIPTION	BY	SUBMISSION NOTES
1	6/04/2021	LOW SAWHORSE	DESMOND	SQR DRAWING SET
2				
3				
4				

CLIENT:

STUDENT

PROJECT: LOW SAWHORSE

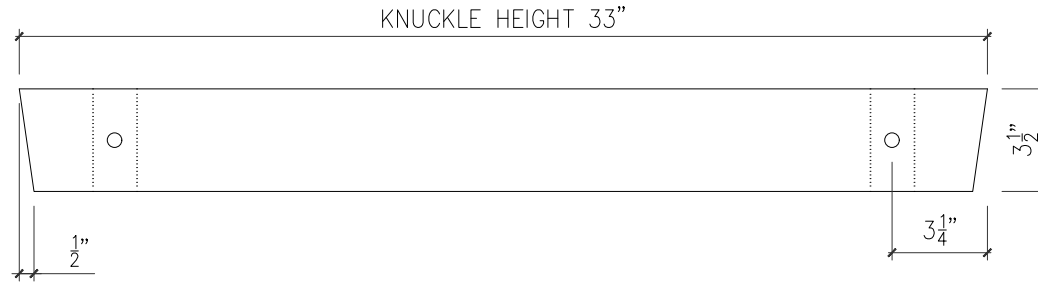
127 KING STREET
BROOKLYN, NY 11231

SHEET TITLE:
TALL SAWHORSE PARTS

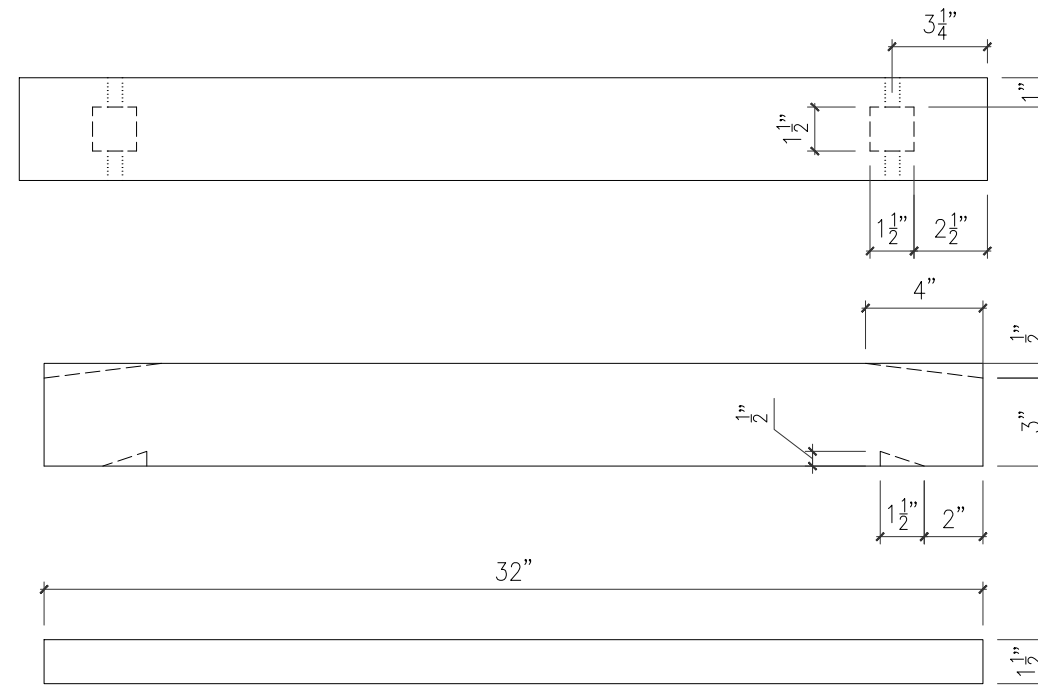
SCALE:	PROJECT NO:	DWGNO:
AS NOTED		ECO-3

DATE: 06/04/2021

WD11
TOP BEAM x1
(Side)
(Top)



WD12
STRINGER x1
(Side)
(Top)



ALL DIMENSIONS TO BE VERIFIED IN FIELD BEFORE FABRICATION

ECOTONE
NEW YORK

ECOTONE, INC.
127 KING STREET
BROOKLYN, NY 11231

WWW.ECOTONENY.COM
INFO@ECOTONENY.COM
(212) 965-9358

FINISHES

WD11 4"x4" LUMBER

WD12 2"x6" LUMBER

WD13 SCRAP LUMBER

TOOLS

TL01 WOOD SAW

TL05 HAMMER

REVISIONS

NO.	DATE	DESCRIPTION	BY	SUBMISSION NOTES
1	6/04/2021	LOW SAWHORSE	DESMOND	SOK DRAWING SET
2				
3				
4				

CLIENT:

STUDENT

PROJECT:

TALL SAWHORSE

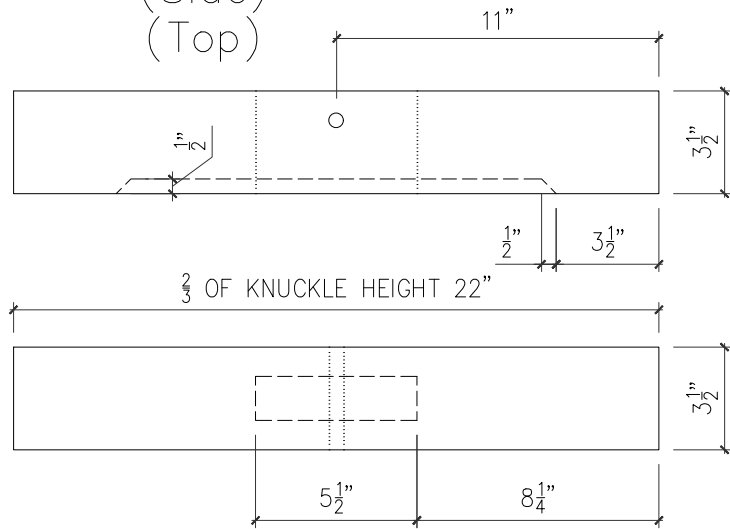
127 KING STREET
BROOKLYN, NY 11231

SHEET TITLE:

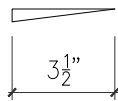
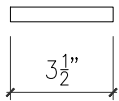
LUMBER CUT LINES

SCALE: AS NOTED	PROJECT NO:	DWG. NO:
DATE: 06/04/2021		ECO-4

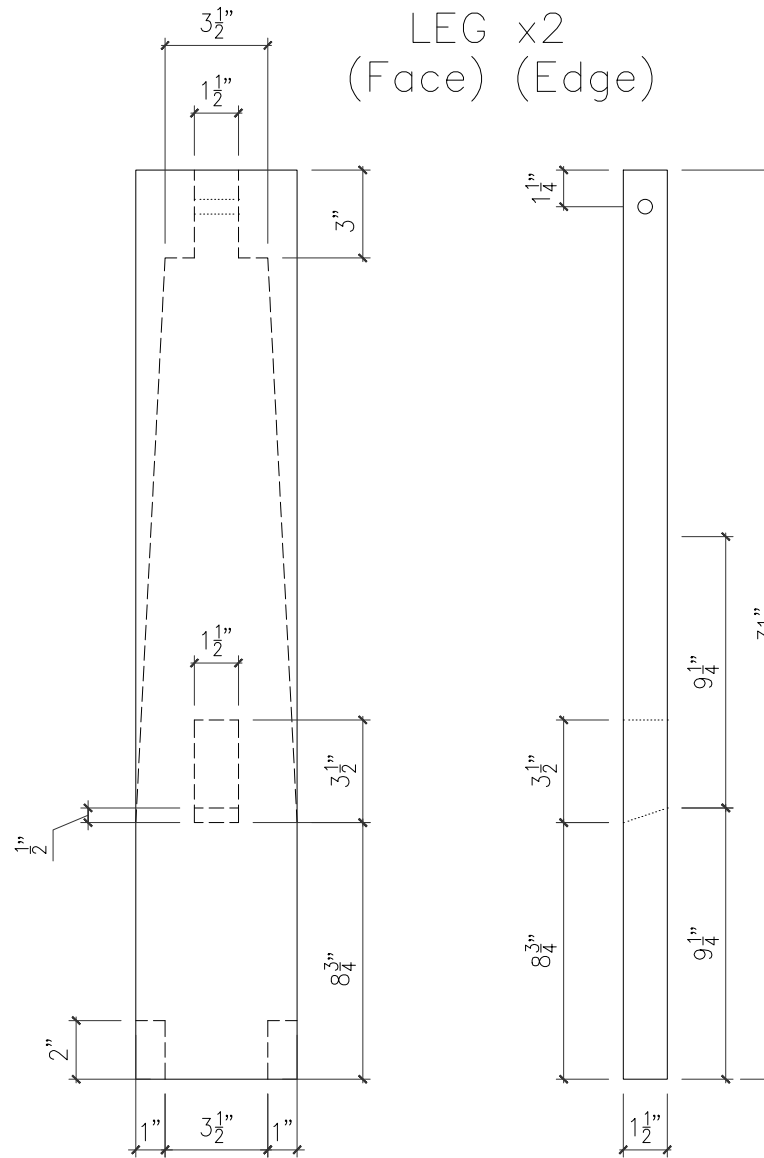
WD11
FOOT x2
(Side)
(Top)



WD13
DOWEL x4 / WEDGE x2



WD12
LEG x2
(Face) (Edge)



ALL DIMENSIONS TO BE VERIFIED IN FIELD BEFORE FABRICATION

ECOTONE
NEW YORK

ECOTONE, INC.
127 KING STREET
BROOKLYN, NY 11231

WWW.ECOTONENY.COM
INFO@ECOTONENY.COM
(212) 965-9358

FINISHES			
WD11	4"x4" LUMBER		
WD12	2"x6" LUMBER		
WD13	SCRAP LUMBER		
TOOLS			
TL01	WOOD SAW		
TL05	HAMMER		

REVISIONS				
NO.	DATE	DESCRIPTION	BY	SUBMISSION NOTES
1	6/04/2021	LOW SAWHORSE	DESMOND	SOK DRAWING SET
2				
3				
4				

CLIENT: STUDENT

PROJECT: TALL SAWHORSE

127 KING STREET
BROOKLYN, NY 11231

SHEET TITLE: LUMBER CUT LINES

SCALE: AS NOTED	PROJECT NO:	DWGNO:
DATE: 06/04/2021		ECO-5