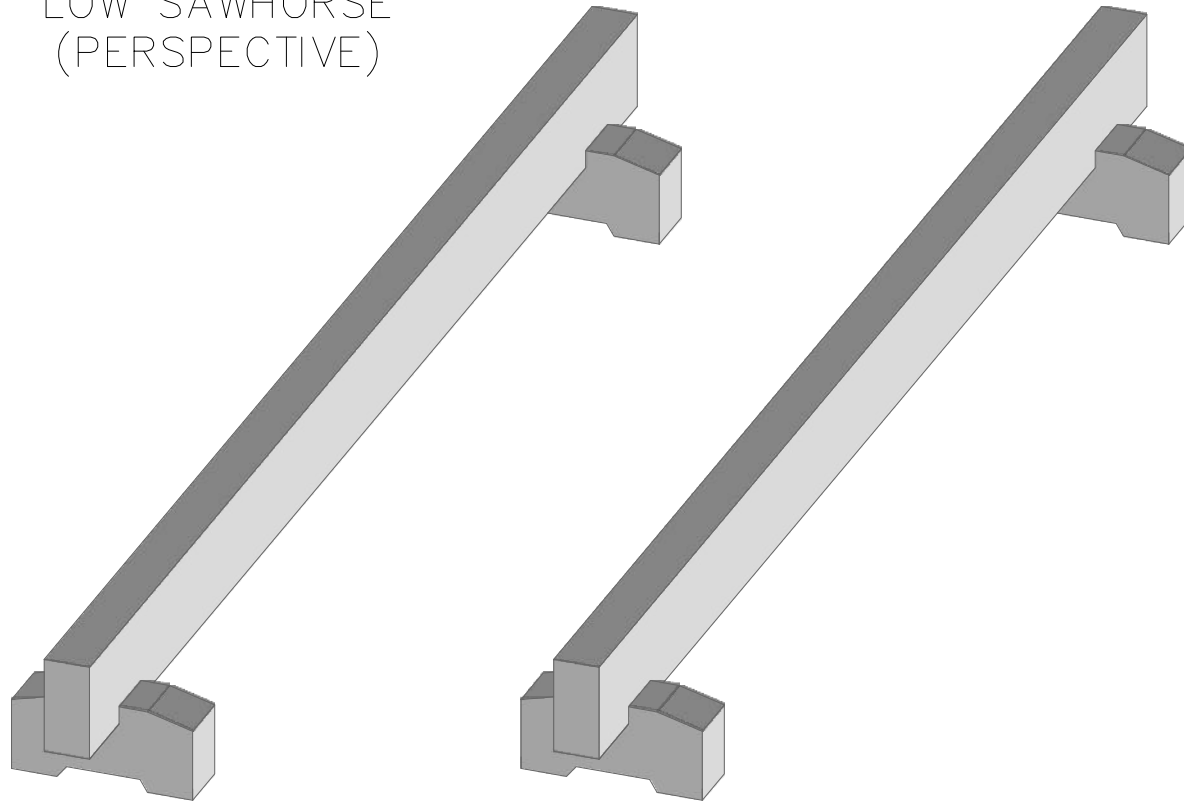


LOW SAWHORSE
(PERSPECTIVE)



ALL DIMENSIONS TO BE VERIFIED IN FIELD BEFORE FABRICATION



ECOTONE, INC.
127 KING STREET
BROOKLYN, NY 11231

WWW.ECOTONENY.COM
INFO@ECOTONENY.COM
(212) 965-9358

FINISHES
[WD10] 2"x4" LUMBER

TOOLS

[TL01] WOOD SAW
[TL05] HAMMER

REVISIONS				
NO.	DATE	DESCRIPTION	BY	SUBMISSION NOTES
1	6/04/2021	GAUGE	DESMOND	SOK DRAWING SET
2				
3				
4				

REVISIONS				
NO.	DATE	DESCRIPTION	BY	SUBMISSION NOTES
1	6/04/2021	GAUGE	DESMOND	SOK DRAWING SET
2				
3				
4				

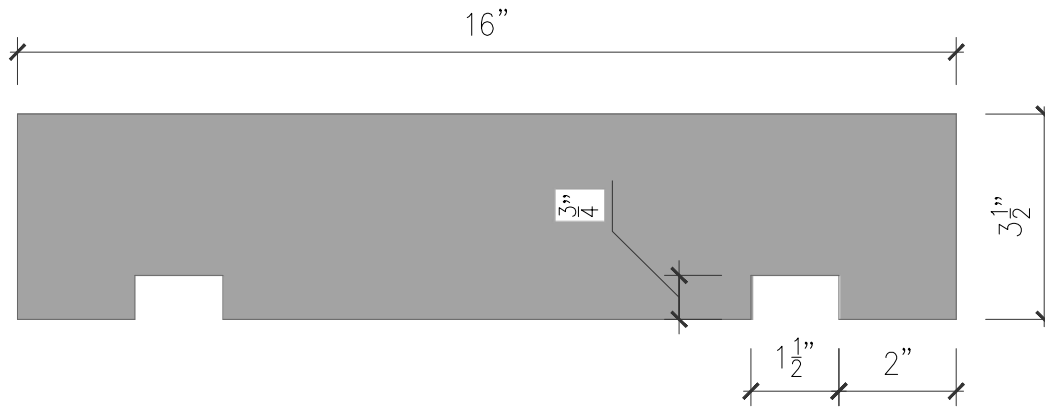
CLIENT:
STUDENT

PROJECT:
LOW SAWHORSE
127 KING STREET
BROOKLYN, NY 11231

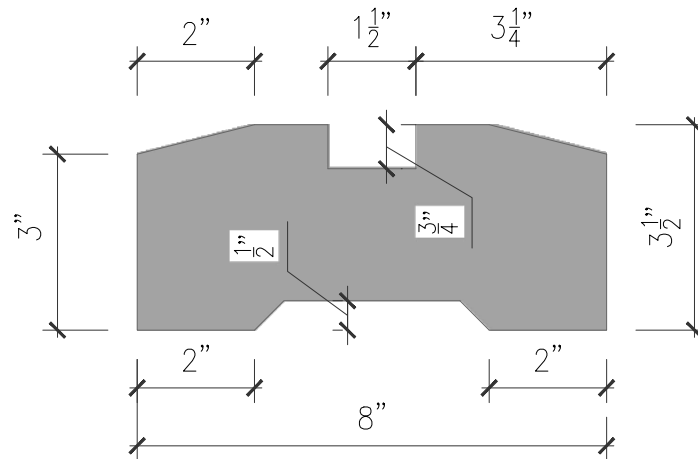
SHEET TITLE:
LOW SAWHORSE OVERVIEW

SCALE: AS NOTED	PROJECT NO: -	DWG NO: ECO-1
DATE: 06/04/2021		

WD10
ARM
(Side)



WD10
LEG
(Side)



ALL DIMENSIONS TO BE VERIFIED IN FIELD BEFORE FABRICATION



ECOTONE, INC.
127 KING STREET
BROOKLYN, NY 11231

WWW.ECOTONENY.COM
INFO@ECOTONENY.COM
(212) 965-9358

FINISHES

WD10 2"x4" LUMBER

TOOLS

TL01 WOOD SAW

TL05 HAMMER

REVISIONS

NO.	DATE	DESCRIPTION	BY	SUBMISSION NOTES
1	6/04/2021	LOW SAWHORSE	DESMOND	SOK DRAWING SET
2				
3				
4				

CLIENT:
STUDENT

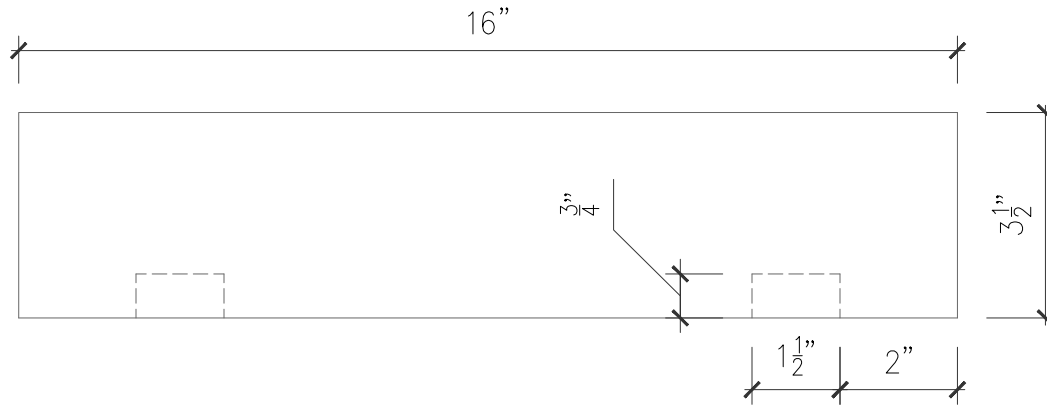
PROJECT:
LOW SAWHORSE

127 KING STREET
BROOKLYN, NY 11231

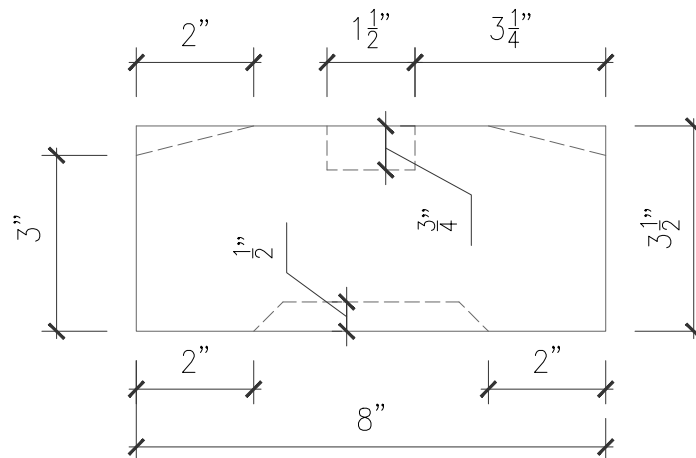
SHEET TITLE:
LOW SAWHORSE PARTS

SCALE: AS NOTED PROJECT NO: DWG NO:
DATE: 06/04/2021 ECO-2

WD10
ARM
(x2)



WD10
LEG
(x4)



ALL DIMENSIONS TO BE VERIFIED IN FIELD BEFORE FABRICATION



ECOTONE, INC.
127 KING STREET
BROOKLYN, NY 11231

WWW.ECOTONENY.COM
INFO@ECOTONENY.COM
(212) 965-9358

FINISHES

WD10 2"x4" LUMBER

TOOLS

TL01 WOOD SAW

TL05 HAMMER

REVISIONS

NO.	DATE	DESCRIPTION	BY	SUBMISSION NOTES
1	6/04/2021	LOW SAWHORSE	DESMOND	SOK DRAWING SET
2				
3				
4				

CLIENT:

STUDENT

PROJECT: LOW SAWHORSE

127 KING STREET
BROOKLYN, NY 11231

SHEET TITLE:
LUMBER CUT LINES

SCALE: AS NOTED	PROJECT NO:	DWG NO:
DATE: 06/04/2021		ECO-4